

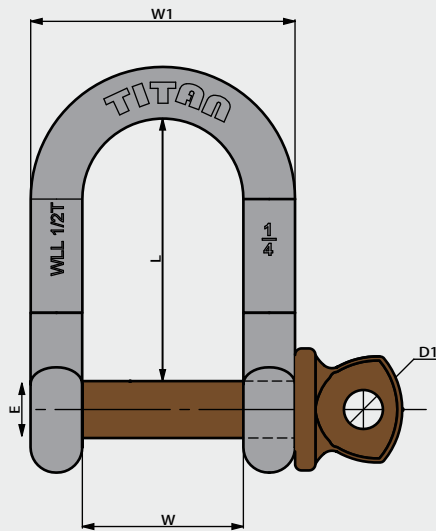
All of our Titan™ Marine Shackles are Hot Dip Galvanized for premium corrosion resistance and meet or exceed the current RR-C-271 Type IV Grade A Specifications.

Titan™ Shackles Feature:

- Hot dip galvanized coating on both the shackle & pin
- Anchor & chain type shackles
- Easily identifiable copper colored pin
- Proof tested & load rated
- Working load limit, size and Titan™ logo stamped on every shackle



PID	Description	Bail		Pin		Working Load		Breaking Load		SPECS	D1 mm	E Thread	W mm	W1 mm	L mm
		INCH	MM	INCH	MM	LB	KG	LB	KG						
10319062	1/4 Screw Pin HDG Shackle	1/4	6	5/16	8	1100	500	6600	3000	1/4	4.8	5/16"- 18UNC	11.9 +/-1.5	24.1	35.1
10319063	5/16 Screw Pin HDG Shackle	5/16	8	3/8	10	1650	750	9900	4500	5/16	5.6	3/8"- 16UNC	13.5 +/-1.5	29.5	42.2
10319064	3/8 Screw Pin HDG Shackle	3/8	10	7/16	11	2200	1000	13200	6000	3/8	6.4	7/16"- 14UNC	16.8 +/-1.5	35.8	51.6
10319065	7/16 Screw Pin HDG Shackle	7/16	11	1/2	13	3300	1500	19800	9000	7/16	7.9	1/2"- 13UNC	19.1 +/-1.5	41.4	60.5
10319066	1/2 Screw Pin HDG Shackle	1/2	13	5/8	16	4400	2000	26400	12000	1/2	9.7	5/8"- 11UNC	20.6 +/-1.5	46	68.3
10319067	5/8 Screw Pin HDG Shackle	5/8	16	3/4	19	7150	3250	42900	19500	5/8	11.2	3/4"- 10UNC	26.9 +/-1.5	58.7	84.8
10319068	3/4 Screw Pin HDG Shackle	3/4	19	7/8	22	10450	4750	62700	28500	3/4	12.7	7/8"- 9UNC	31.8 +/-1.5	69.9	100.8
10319069	7/8 Screw Pin HDG Shackle	7/8	22	1	25	14300	6500	85800	39000	7/8	12.7	1"- 8UNC	36.6 +/-1.5	81	114.3
10319070	1in Screw Pin HDG Shackle	1	25	1 1/8	29	18700	8500	112200	51000	1	14.2	1-1/8"- 7UNC	42.9 +/-1.5	93.7	128.8
10319071	1 1/8 Screw Pin HDG Shackle	1 1/8	29	1 1/4	32	20900	9500	125400	57000	1 1/8	16	1-1/4"- 7UNC	46 +/-1.5	103.1	142
10319072	1 1/4 Screw Pin HDG Shackle	1 1/4	32	1 3/8	35	26400	12000	158400	72000	1 1/4	17.5	1-3/8"- 6UNC	51.6 +/-1.5	115.1	156.5
10319073	1 3/8 Screw Pin HDG Shackle	1 3/8	35	1 1/2	38	29700	13500	178200	81000	1 3/8	19.1	1-1/2"- 6UNC	57.2 +/-3.3	127	173.7



Scan this with your mobile device for our website

titanmarineproducts.com sales@canmet.com

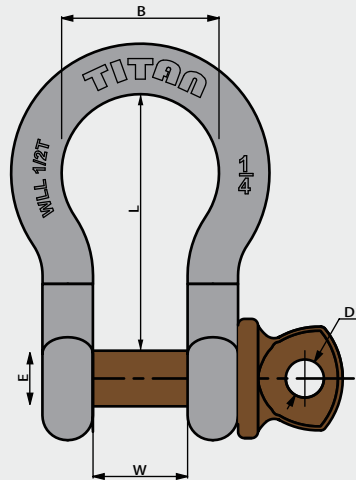
All of our Titan™ Marine Shackles are Hot Dip Galvanized for premium corrosion resistance and meet or exceed the current RR-C-271 Type IV Grade A Specifications.

Titan™ Shackles Feature:

- Hot dip galvanized coating on both the shackle & pin
- Anchor & chain type shackles
- Easily identifiable copper colored pin
- Proof tested & load rated
- Working load limit, size and Titan™ logo stamped on every shackle



PID	Description	Bail		Pin		Working Load		Breaking Load		SPECS	D1 mm	E Thread	W mm	B mm	L mm
		INCH	MM	INCH	MM	LB	KG	LB	KG						
10319050	1/4 Screw Pin HDG Shackle	1/4	6	5/16	8	1100	500	6600	3000	1/4	4.8	5/16"- 18UNC	11.9 +/-1.5	19.8	28.7 +/-1.5
10319051	5/16 Screw Pin HDG Shackle	5/16	8	3/8	10	1650	750	9900	4500	5/16	5.6	3/8"- 16UNC	13.5 +/-1.5	21.3	31 +/-1.5
10319052	3/8 Screw Pin HDG Shackle	3/8	10	7/16	11	2200	1000	13200	6000	3/8	6.4	7/16"- 14UNC	16.8 +/-1.5	26.2	36.3 +/-3.3
10319053	7/16 Screw Pin HDG Shackle	7/16	11	1/2	13	3300	1500	19800	9000	7/16	7.9	1/2"- 13UNC	19.1 +/-1.5	29.5	42.9 +/-3.3
10319054	1/2 Screw Pin HDG Shackle	1/2	13	5/8	16	4400	2000	26400	12000	1/2	9.7	5/8"- 11UNC	20.6 +/-1.5	33.3	47.8 +/-3.3
10319055	5/8 Screw Pin HDG Shackle	5/8	16	3/4	19	7150	3250	42900	19500	5/8	11.2	3/4"- 10UNC	26.9 +/-1.5	42.9	60.5 +/-3.3
10319056	3/4 Screw Pin HDG Shackle	3/4	19	7/8	22	10450	4750	62700	28500	3/4	12.7	7/8"- 9UNC	31.8 +/-1.5	50.8	71.4 +/-6.4
10319057	7/8 Screw Pin HDG Shackle	7/8	22	1	25	14300	6500	85800	39000	7/8	12.7	1"- 8UNC	36.6 +/-1.5	57.9	84.1 +/-6.4
10319058	1in Screw Pin HDG Shackle	1	25	1 1/8	29	18700	8500	112200	51000	1	14.2	1-1/8"- 7UNC	42.9 +/-1.5	68.3	95.3 +/-6.4
10319059	1 1/8 Screw Pin HDG Shackle	1 1/8	29	1 1/4	32	20900	9500	125400	57000	1 1/8	16	1-1/4"- 7UNC	46 +/-1.5	73.9	108 +/-6.4
10319060	1 1/4 Screw Pin HDG Shackle	1 1/4	32	1 3/8	35	26400	12000	158400	72000	1 1/4	17.5	1-3/8"- 6UNC	51.6 +/-1.5	82.6	119.1 +/-6.4
10319061	1 3/8 Screw Pin HDG Shackle	1 3/8	35	1 1/2	38	29700	13500	178200	81000	1 3/8	19.1	1-1/2"- 6UNC	57.2 +/-3.3	92.2	133.4 +/-6.4



Scan this with your mobile device for our website

titanmarineproducts.com sales@canmet.com